

KILN SITTER® PRICE LIST

EFFECTIVE APRIL 1, 2005

LT-3K	KILN SITTER® WITH TIMER	\$112.50
LT-3	KILN SITTER® WITH TIMER / BOX	\$124.00
K	KILN SITTER®	\$ 74.00
P	KILN SITTER® WITH BOX	\$ 86.00
LT-3H	KILN SITTER® WITH TIMER/BOX(75A)	\$136.50 ●
LT-3K-H	KILN SITTER® W/TIMER (75 AMP)	\$125.00 ●
LT-3KR	KILN SITTER® W/RAMP	\$158.00

M	MANUAL (P-K OR LT)	\$ 3.75	26	SPRING (CENTER POST)	\$ 2.40
1	FIRING GAUGE	\$ 2.50	29	SET SCREW (8-32 X 3/8")	\$.85
2	CONE SUPPORTS (PAIR)	\$ 6.00	30	PIVOT PIN (WEIGHT ASSEMBLY)	\$ 2.55
3	SENSING ROD (BY WALL THICKNESS)		31	LOCK (P/K UNITS)	\$ 6.50
	3 A - 2 1/2"	\$ 3.75	32	SPRING (P/K LOCK)	\$ 2.55
	3 B - 3"	\$ 3.75	33	RETAINER (SPRING)	\$ 2.75
	3 C - 4"	\$ 3.75	34	SCREW (4-40 X 1/4")	\$.60
	3 D - 4 1/2"	\$ 3.75	35	RETAINER (CAM/LOCK ASSY.)	\$ 3.00
	3 E - 5"	\$ 4.25	36	SCREW (4-40 X 1/8")	\$.55
	3 F - 5 1/2"	\$ 4.25	37	SCREW (3/8" X #6)	\$.45
	3 G - 6"	\$ 4.75	40	MOUNTING BOX (LT-3/P)	\$24.50
	3 H - 7"	\$ 5.00	42	BAFFLE, MOUNTING BOX	\$12.50
	3 I - #70 (SHORT)	\$ 3.75	43	SPRING RING (#5 WASHER)	\$ 2.75
	3 J - #70A (LONG)	\$ 3.75			
	3 K - #70B (X-LONG)	\$ 3.75			
	3 L - 3 1/2"	\$ 3.75	44	COUNTER WEIGHT (#4 -4" / #70B)	\$ 3.00
4	TUBE ASSEMBLY (BY WALL THICKNESS)		45	COUNTER WEIGHT (#4 - 5")	\$ 3.00
	(SEE DIAGRAM ON BACK)		46	COUNTER WEIGHT (#4 - 4 1/2", 5 1/2")	\$ 3.00
	4 A - 2 1/2"	\$21.50	47	COUNTER WEIGHT (#4 - 6")	\$ 3.00
	4 B - 3"	\$22.00	48	COUNTER WEIGHT (#4 - 7")	\$ 3.00
	4 C - 4"	\$22.50	49	CLAW (W/SET SCREW-BLACK)	\$ 7.50
	4 D - 4 1/2"	\$23.75	58	CAM (LT-UNITS)	\$ 8.00
	4 E - 5"	\$24.00	59	SPRING (LT-CAM)	\$ 2.75
	4 F - 5 1/2"	\$24.75	62	SET SCREW (#64 - KNOB)	\$ 1.00
	4 G - 6"	\$25.50	64A	KNOB (LT W/ SET SCREW)	\$12.50
	4 H - 7"	\$26.00			
	4 L - 3 1/2"	\$22.25	67	MOTOR (220-60HZ)	\$42.75
5	GASKET (#4 TUBE GASKET)	\$ 3.50	67A	MOTOR (120-60HZ)	\$42.75
			67B	MOTOR (220-50HZ)	\$42.75
6	NIPPLE (#4, 5" - 7")	\$ 6.00	67C	MOTOR (120-50HZ)	\$44.75
6A	NIPPLE (#4, 3"- 4 1/2")	\$ 7.00	68	SPRING GRIP (COUNTER WEIGHT)	\$ 1.25
6B	NIPPLE (#4 - 2 1/2")	\$ 7.75	69	SET SCREW (#49 CLAW)	\$.75
8	WASHER (METAL)	\$ 1.50	70	TUBE ASSEMBLY (SHORT)	\$24.75
9	NUT (#4 TUBE)	\$ 2.00	70A	TUBE ASSEMBLY (LONG)	\$25.00
9A	NUT (#4 WITH SWIVEL)	\$ 5.25	70B	TUBE ASSEMBLY (X-LONG)	\$26.00
15	PLUNGER (50 AMPERE)	\$21.75*	71	SCREW (CENTER POST/MOTOR)	\$.60
16A	CLAW ASSEMBLY (WITH #19)	\$ 6.00	72	LOCK WASHER (CENTER POST)	\$.60
16B	GUIDE PLATE	\$ 5.25	75	CENTER POST	\$ 6.50
18	SCREW (6-32 X 1/4")	\$.30	75A	CENTER POST ASSEMBLY	\$10.50
19	SET SCREW (6-32 X 1/8")	\$.55	76	NUT (SWITCH MOUNTING)	\$.70
24	WASHER (FIBER, CENTER POST)	\$.60	78	SWITCH STAND-OFF	\$ 2.75



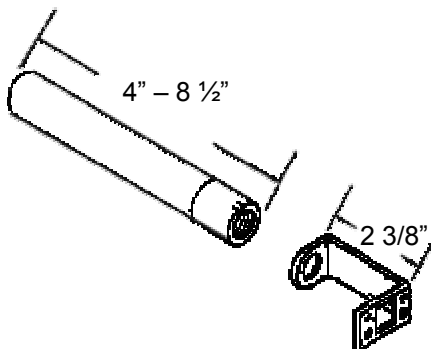
MANUFACTURED BY: W.P.DAWSON, INC.
 399 THOR PLACE BREA-CA-92821
 714.529.2813 FAX 714.529.3254
 WWW.KILNSITTER.COM

80	SCREW (FLAT HEAD / #70-#70B)	\$.60	102	TRIGGER (WEIGHT- 1/16" THICK)	\$ 5.00
81	SCREW (SWITCH MOUNTING)	\$ 3.00	103	WEIGHT	\$ 9.00
81A	SCREW ASSY. (SWITCH MOUNT)	\$ 7.75	103A	WEIGHT ASSY. (#29,102,103)	\$15.00
83	S-LOCKING CAM (SOLENOID)	\$ 9.00	115	RIVET (SOLENOID)	\$ 1.50
85	MOTOR SHIM	\$ 4.00	116	SOLENOID (220-50HZ)	\$23.50
91	FACE PLATE (LT-3 / 220-60HZ)	\$39.00	117	SCREW (SOLENOID MOUNT)	\$.85
	INCLUDES-#29,30,102,103		119	FACE PLATE (LT-3K-S / 220-50HZ)	\$56.50
91A	FACE PLATE (LT-3 / 120-60HZ)	\$39.00		INCLUDES-#29,30,102,103	
	INCLUDES-#29,30,102,103		120	FACE PLATE (LT-3-S / 220-50HZ)	\$56.50
91B	FACE PLATE (LT-3 / 220-50HZ)	\$39.00		INCLUDES-#29,30,102,103	
	INCLUDES-#29,30,102,103		130	CONVERSION PLATE (K TO LT-3K)	\$80.00
92	FACE PLATE (LT-3K / 220-60HZ)	\$39.00	131	CONVERSION PLATE (P TO LT-3)	\$80.00
	INCLUDES-#29,30,102,103		310	BRACKET (ADAPTS P TUBE TO K)	\$ 6.00
92A	FACE PLATE (LT-3K / 120-60HZ)	\$39.00	116W	HEX WRENCH (1/16"-CLAW,SWIVEL)	\$.90
	INCLUDES-#29,30,102,103		564W	HEX WRENCH (5/64"-TRIGGER)	\$.90
92B	FACE PLATE (LT-3K / 220-50HZ)	\$39.00			
	INCLUDES-#29,30,102,103			75 AMPERE REPLACEMENT PARTS	
93	WASHER (NYLON SWITCH MTN)	\$.75	15H	PLUNGER (75 AMP)	\$26.50*
94	SWITCH BLOCK (W/O MISC.)	\$10.00	67H	MOTOR (220-60HZ / 1/4" LUGS)	\$43.00
95	SWITCH BLOCK (W/ #96-#98)	\$41.00*	78H	SWITCH STAND-OFF (75 AMP)	\$ 2.75
			81HA	SCREW ASSY. (SWITCH MOUNT)	\$ 7.75
95A	SWITCH BLOCK (W/ #75A,#96-98)	\$50.75*	91H	FACE PLATE (LT-3-H / 220-60HZ)	\$56.50
95B	SWITCH BLOCK (W/ #99,95A,15)	\$72.50*		INCLUDES-#29,30,102,103	
96	CONTACT (SWITCH)	\$ 5.50*	92H	FACE PLATE (LT-3K-H / 220-60HZ)	\$56.50
96A	CONTACT ASSY. (W/#96-99)	\$ 8.25*		INCLUDES-#29,30,102,103	
97	CONTACT WASHER (NYLON)	\$.60	94H	SWITCH BLOCK (W/O MISC.)	\$15.00
98	CONTACT NUT	\$ 1.50	95H	SWITCH BLOCK (W/ #96-98)	\$65.00*
99	SCREW (10-32 X 3/8")	\$.60	95HA	SWITCH BLOCK (W/#75A,#96-98)	\$74.75*
99A	SCREW (10-32 X 1/2")	\$.90	95HB	SWITCH BLOCK (W/#99A,95HA,15H)	\$101.25*
100	FACE PLATE (MODEL "P")	\$56.50	96H	CONTACT (75 AMP)	\$ 9.50*
	INCLUDES-#29,30,102,103		96HA	CONTACT ASSY. (W/#96H-99H)	\$12.50*
101	FACE PLATE (MODEL "K")	\$56.50	97H	CONTACT WASHER (NYLON)	\$.65
	INCLUDES-#29,30,102,103		98H	CONTACT NUT (75 AMP)	\$ 1.50
			99H	SCREW (CONTACT)	\$.85

**WHEN ORDERING KILN SITTER® UNITS OR REPLACEMENT PARTS PLEASE INCLUDE THE FOLLOWING:
KILN MANUFACTURER, MODEL NUMBER, KILN WALL THICKNESS, CONTROL PANEL THICKNESS, VOLTAGE
AND THE KILN SITTER® MODEL. (MAXIMUM KILN WALL THICKNESS IS 7")
PLEASE CONTACT US IF YOU HAVE ANY QUESTIONS!**

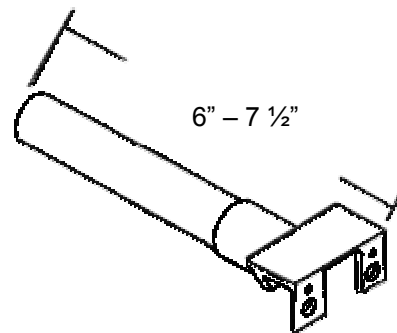
MODELS LT-3 & P

(TUBE ASSYS. INCLUDE ALL MISC. PARTS LESS CLAW ASSY.)



MODELS LT-3K & K

(TUBE ASSYS. INCLUDE ALL MISC. PARTS LESS CLAW ASSY.)



* SUBJECT TO SILVER SURCHARGE

**NOTE: SOME LT-3K AND K MODELS MAY USE THE #4

- DISCOUNT PLUS \$19.00 NET

TUBE STYLE AND #310 BRACKET (PLEASE CONTACT US)